



147-10-123

QUANTUM™

Elongated Front, 10" Rough-In,  
Pressure-Assist, Two-Piece Toilet

## FEATURES

- Performance and Style in One Combination
  - 1.6 Gpf / 6.0 Lpf
  - Two-Inch Glazed Trapway
  - 10" Rough-in
  - Large 10" x 12" Water Surface
  - High Performance, Pressure-Assist Flushmate III™ Flushing Technology
  - Available in White and Standard Colors (Consult Price Book for Specific Colors)
  - Trip Levers
    - Model 45 Left Hand, Chrome Plated Metal
    - Model 49 Right Hand, Chrome Plated Metal
    - Model 47 Chrome Plated Plastic Push Button Actuator
- (Consult Price Book for Additional Finishes)
- Upgrade with a Color-Match SmartClose™ or Primo™ Toilet Seat
  - Outstanding Protection – The Mansfield® Limited Lifetime Warranty



Model 147-10-123  
Shown with SB1200  
Primo™ Toilet Seat



Model No.	Description	Approx. Wt.
147-10-123	Elongated front (1.6 Gpf/6.0 Lpf) two-piece, pressure-assist toilet. 10" Rough-in. Includes tank trim, chrome plated metal trip lever. Less toilet seat and supply. Specify color.	88 lbs. (39.6 kg)
147-10	Elongated front toilet bowl only. 10" rough-in. Less toilet seat and supply. Specify color.	45 lbs. (20.2 kg)
123	Pressure-assist tank and cover only with left hand, chrome plated metal trip lever. Less supply. Specify color.	43 lbs. (19.3 kg)
123RH	Same as model 123, except with right hand trip lever.	43 lbs. (19.3 kg)
122	Same as model 123, except with chrome plated, plastic push button actuator.	43 lbs. (19.3 kg)
SB1175	Elongated, SmartClose™ toilet seat.	5.5 lbs. (2 kg)
SB1200	Elongated, Primo™ toilet seat.	5.5 lbs. (2 kg)



Model 122 Tank  
Shown with Model 47  
Push Button Actuator



Model 123RH Tank  
Shown with Model 49  
Right Hand Trip Lever

# 147-10-123

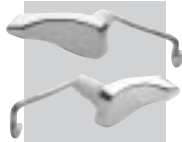
## QUANTUM™

### Elongated Front, 10" Rough-In, Pressure-Assist, Two-Piece Toilet

#### FEATURES & UPGRADES

##### Toilet Trip Levers 45 & 49

Solid, durable front mount trip levers add attractive styling to this toilet. Trip Lever 49 is the right hand version, used on Model 123RH tank. Both trip levers are available in the following finishes: Chrome Plated (CH) and Polished Brass (PB). Trip Lever 45 also available in Satin Nickel (SN) finish.



##### Push Button Actuator 47

Solid, durable, top mount, push button actuator adds functionality to this toilet. Push button actuator 47 is available in the following finishes: Polished Chrome (CH) and Polished Brass (PB).



##### Sloan Flushmate III™ Vessel

The Sloan Flushmate III™ pressure-assist vessel. The pressurized flushing action is second to none. Superior performance over conventional two-piece, gravity flush toilets.



##### Add a Toilet Seat

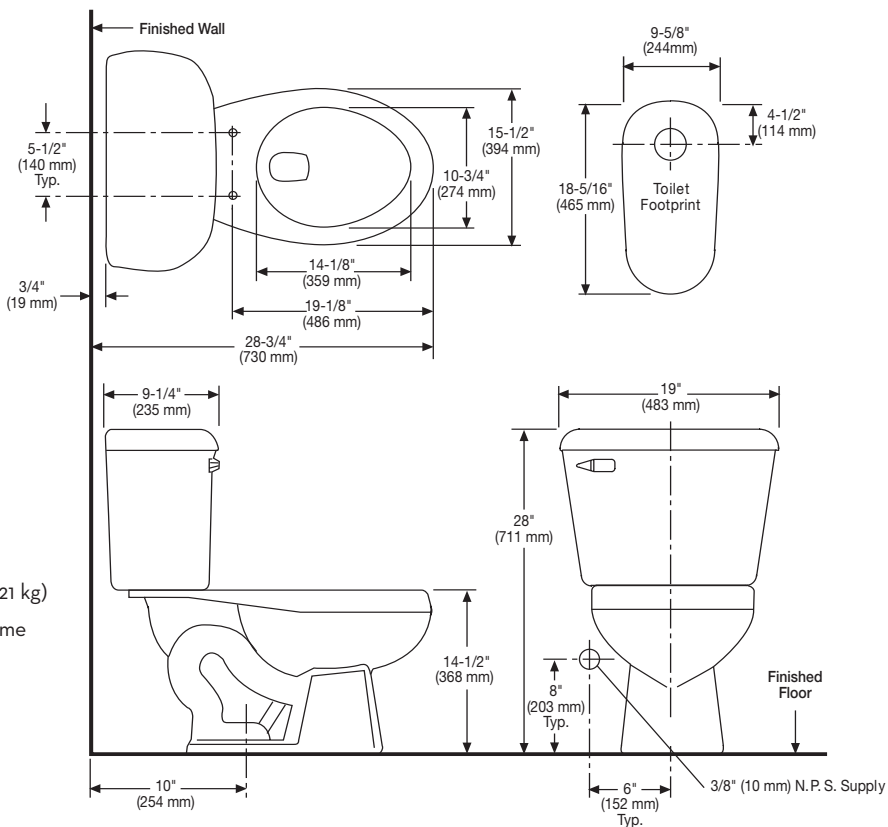
With a simple touch, Mansfield's newest SmartClose™ toilet seat closes gently and quietly. Or upgrade your toilet with a popular Primo™ toilet seat. Made of durable, high impact, heavy-duty plastic. For all applications – Get More, Get Mansfield®.



#### TECHNICAL INFORMATION

##### Specifications

Material	Vitreous China
Water Pressure Range	20 to 125 P.S.I.
Flush System	Flushmate III™ Flushing Technology
Water Usage	1.6 Gpf / 6.0 Lpf
Water Surface Area	10" x 12"
Trap Diameter	2"
Trap Seal	2-5/8"
Rough-In	10"
Shipping Dimensions	Model 147-10 26-1/2" x 16" x 14-3/4" (673 mm x 406 mm x 375 mm) Model 122/123/123RH 21" x 11-3/8" x 17-3/4" (533 mm x 289 mm x 451 mm)
Shipping Weight	Model 147-10 – 47.2 lbs (21 kg) Model 122/123/123RH – 47 lbs (21 kg)
Warranty	Vitreous China – Limited Lifetime Tank Trim – Limited One Year



These dimensions are nominal and are subject to change without prior notice.

Fixture performance and specifications meet or exceed, ANSI/ASME A112.19.2M, A112.19.6 and CSA B45 standards, and other state and local codes.

NOTE: Install this product according to the installation guide.

Fixture dimensions are nominal and conform to tolerances in ASME Standard A112.19.2

See our complete line of acrylic and vitreous china bathroom and kitchen fixtures, plastic tank trim and plumbing products.



Mansfield Plumbing Products LLC • Customer Service Toll Free 877-850-3060 • Fax 419-938-6234  
Website: [www.mansfieldplumbing.com](http://www.mansfieldplumbing.com) • Email: [custserv@mansfieldplumbing.com](mailto:custserv@mansfieldplumbing.com)

Form No. M14710123 Printed in U.S.A. 4/07  
© 2007 Mansfield Plumbing Products LLC