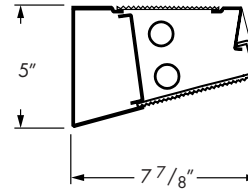
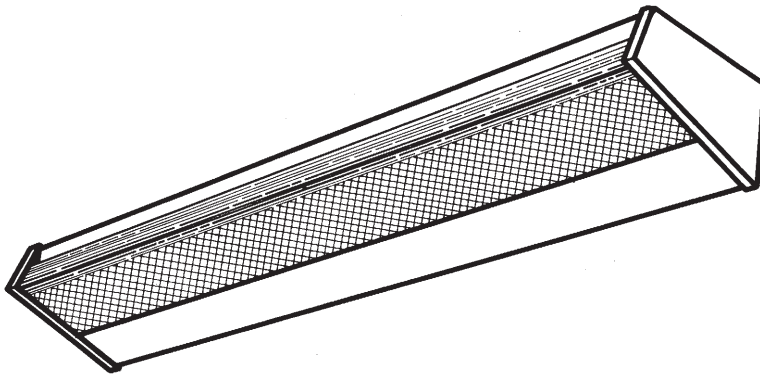


2', 3', OR 4' WALL MOUNT

SERIES **29**

VOLTAGE TYPE JOB _____



SPECIFICATIONS

- HOUSING – 20 Ga. die formed, welded C.R.S.
- SHIELDING – clear acrylic prismatic lens standard
- FINISH – white powder coating with 5-stage iron/phosphate prepared metal. 92% minimum average reflectance
- ELECTRICAL – electronic ballast standard (where available), rated Class P
- LABELS – UL listed as fluorescent fixture suitable for dry or damp locations. CUL listing for Canada available – consult factory
- MOUNTING – directly to wall

FEATURES

- Available with multi-level switching for up and/or down light
- All-welded construction
- Available in T8, T12, or long twin tube lamps for design flexibility
- Versatile, durable fixture ideal for many different applications
- Ballast secured by 2 captive bolts and nuts to ensure a tight, reliable fit for maximum heat dissipation and minimal ballast noise
- All parts painted after fabrication to facilitate installation, increase efficiency, and inhibit rusting

SUBMITTAL INFORMATION

OPTIONS:

- CT = Down light only
- GCO = Grounded convenience outlet (120V only)
- GFCO = Ground fault convenience outlet (120V only)
- PS = Pull switch, single circuit (120V only)
- EM7 = Emergency battery pack (B70A) or equivalent
- BLH = Black housing

- DL-PS = Divided lamp compartment - 2 lamp unit with single circuit pull switch operating downlight & uplight to be operated via wall switch (120V only)
- DL-PS2 = Divided lamp compartment - 2 lamp unit with 2 circuit internal, 4 position pull switch operating both lamps (120V only)

- TOTAL LAMPS
1 or 2
- NOMINAL LENGTH
2 = 2 ft.
3 = 3 ft.
4 = 4 ft.
- LUMINAIRE SERIES

- SHIELDING
A = acrylic lens

- VOLTAGE
120 = 120V
277 = 277V

29-4-232-A-OPTIONS-EB2-120

- LAMP WATTAGE/TYPE
17 = 2', 17 watt T8
20T12 = 2', 20 watt T12
25 = 3', 25 watt T8
30T12 = 3', 30 watt T12
32 = 4', 32 watt T8
40T12 = 4', 40 watt T12
40TT = 2', 40 watt long twin tube

- BALLAST TYPE: (dependent on specified lamp type)
EB1 = 1 lamp electronic ballast
EB2 = 2 lamp electronic ballast
EBLH1 = 1 lamp electronic ballast <10% THD
MB1 = 1 lamp magnetic ballast
MB2 = 2 lamp magnetic ballast
T8: EB defaults to instant start
T12: MB defaults to rapid start

For more options, accessories, and product details, refer to Information Section

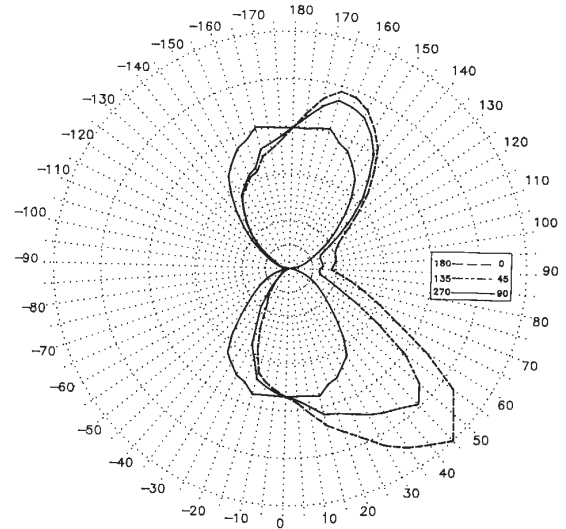


Williams Catalog #29-4-232-A-EB2-120
 Test Report #8361.0, Dated 07/17/95

Lamp Type: F32T8/735/RS
 Lamp Quantity: 2

LUMEN SUMMARY

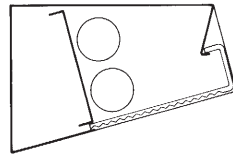
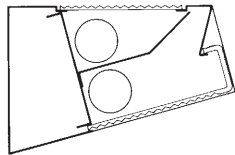
ZONE	LUMENS	% LAMP	% FIXTURE
0 - 30	630.	.0	.0
0 - 40	1044.	.0	.0
0 - 60	1900.	.0	.0
0 - 90	2380.	.0	.0
90 - 120	418.	.0	.0
90 - 130	682.	.0	.0
90 - 150	1476.	.0	.0
90 - 180	2177.	.0	.0
Total Luminaire			
0-180	4557.	80.0	100.0



TOTAL LUMINAIRE OPTICAL EFFICIENCY = 80.0 %

ZONAL CAVITY COEFFICIENTS
 EFFECTIVE FLOOR CAVITY REFL. = .20

CEILING	.80			.70			.50		
	.70	.50	.30	.70	.50	.30	.50	.30	.10
0	.86	.86	.86	.80	.80	.80	.68	.68	.68
1	.79	.75	.72	.73	.70	.67	.59	.57	.55
2	.72	.66	.61	.66	.61	.57	.52	.49	.46
3	.66	.58	.52	.61	.54	.49	.46	.42	.39
4	.60	.51	.45	.55	.48	.42	.41	.37	.34
5	.55	.46	.39	.51	.42	.37	.37	.32	.29
6	.50	.41	.34	.47	.38	.32	.33	.28	.25
7	.46	.37	.30	.43	.34	.28	.29	.25	.22
8	.43	.33	.27	.40	.31	.25	.26	.22	.19
9	.40	.30	.24	.36	.28	.22	.24	.19	.16
10	.37	.27	.21	.34	.25	.20	.22	.17	.14



DIVIDED LIGHT "DL"

CLOSED TOP "CT"

BACK VIEW

