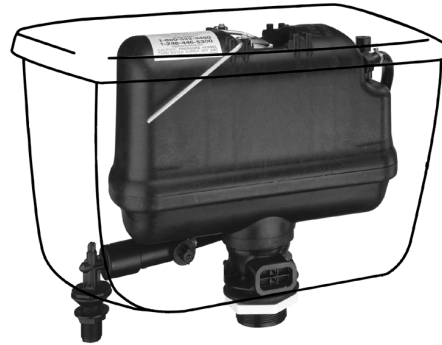
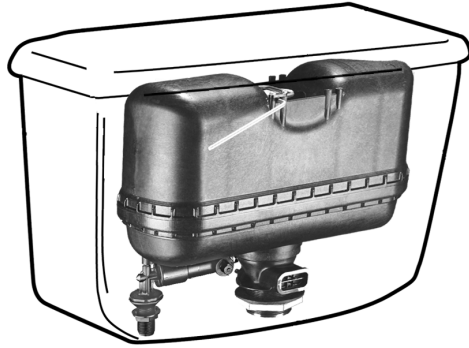








## GENUINE REPLACEMENT PARTS

Effective Date: April 1, 2006




### FLUSHMATE® 503 SERIES

### FLUSHMATE® 504 SERIES

	Part Number	Description	List Price
	M-101526-F3	FLUSHMATE System (Indicate toilet manufacturer when ordering). For Close coupled Toilet – 503 Series	105.00
	M-101526-F4	Same as above – 504 Series	105.00
	M-101526-F3EK	Replacement FLUSHMATE for PF/2 in Eljer tank – 141-7000, 141-7001	125.00
	M-101526-F3CK	Replacement FLUSHMATE for PF/2 in Crane tank – 3612	125.00
	M-102540-F3	FLUSHMATE System (Indicate toilet manufacturer when ordering). For 1 Piece Toilet – 503 Series	109.50
	M-102540-F4	Same as above – 504 Series	109.50
	C-100500-K	Flush Cartridge used on ALL Series except 200	25.40
	BU100505-K	Upper Supply	7.15
	BL100504-3-K	Lower Supply used on 503 and 504 Series	31.30
	ST100100	FLUSHMATE Wrench FITS ALL SERIES	3.60
	ST100500	Cartridge Wrench – for easy removal and install of flush cartridge	10.63

## INTELLI-Flush™ Automatic Flushing System Retrofits to FLUSHMATE 501-B, 503 and 504 Series

	K-100100	INTELLI-Flush with On-Wall Sensor in white trim	160.49
	K-100101	INTELLI-Flush with On-Wall Sensor in chrome trim	162.85
	K-100102	INTELLI-Flush with In-Wall Sensor in white trim	160.49
	K-100103	INTELLI-Flush with In-Wall Sensor in chrome trim	162.85
	K-100500	INTELLI-Flush with override button - no sensor	110.64

Contact Toilet Manufacturer or FLUSHMATE regarding repair parts for trip lever. Call us regarding additional parts not listed.

**ORDERING INFORMATION: TO PLACE ORDER, FAX OR MAIL YOUR ORDER TO**  
30075 Research Drive, New Hudson, MI 48165

800-533-3450 • 248-446-5300 • Fax 248-446-2190 • Web Address: <http://www.flushmate.com>